

NEO120NT-M-480

Framed mono-facial N-type

ELECTRICAL CHARACTERISTICS

Model Name	M-465	M-470	M-475	M-480
Maximum Power (+3%)	465	470	475	480
Voc (V)	42.45	42.57	42.72	42.81
Isc (A)	13.7	13.72	13.73	13.74
Vmp (V)	36.09	36.43	36.66	36.94
Imp (A)	12.89	12.91	12.97	12.99
Module Efficiency (%)	21.3%	21.5%	21.7%	22.0%

1.STC: Irradiance 1000W/m², Cell Temperature 25°C, Air Mass AM 1.5

FUNCTIONAL CHARACTERISTICS

Series Fuse Rating	30A
Junction Box Protection	IP68
Maximum System Voltage	VDC 1500
Operating Temperature	-40 °C to 85 °C
Module type	Framed Mono-Facial Single Glass
Connector type	Stäubli EVO-2A ¹
Cable length	12AWG 1200mm ²
Maximum snow/wind load	5400Pa (snow)/2400Pa (wind)
Certification/Fire Type	UL61730 ³ ; UL1703 Fire Type 1

1.Additional connectors are available upon request
2.Cable length may be customized

MECHANICAL CHARACTERISTICS

Frame	Anodized Aluminum (Silver and Black)
Dimension (L × W × D)	1928mm x 1134mm x 35mm (75.91" x 44.65" x 1.38")
Weight	23.61 kg (52.06 lbs)

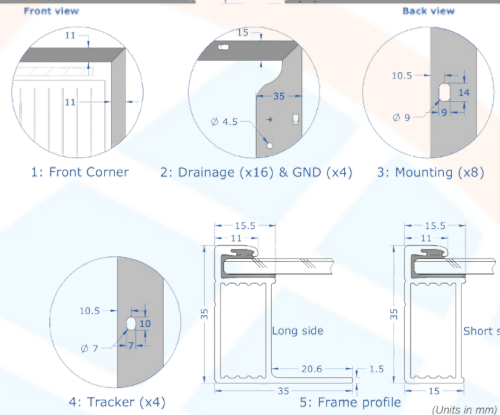
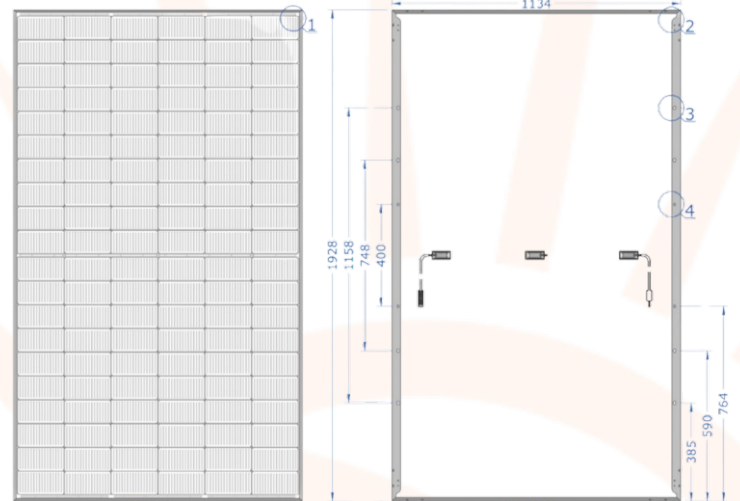
TEMPERATURE COEFFICIENTS

NOCT	45 °C
Short circuit current	+0.05%/°C
Open circuit voltage	-0.25%/°C
Max power output	-0.29%/°C

PACKING CONFIGURATION

Pallet	32 pcs
Pallet Weight	791 kgs (1744 lbs)
Pallet Dimensions	2030mm x 1236mm x 1247mm (72.52" x 48.66" x 51.85")
Container	24 pallets - 768pcs/53'

MODULE DIMENSIONS



I-V CURVES

PRODUCT WARRANTY

Degradation	0.45% after year 1
Power Output	30 years
Product Guarantee	25 years



Contact:
info@neosolarusa.com
(234) 255-0632



Made in the USA
With Domestic and
Global Components

CAUTION: READ SAFETY AND INSTALLATION INSTRUCTIONS BEFORE USING THE PRODUCT
© 2024 NEOSOLAR. All rights reserved. Specifications included in this datasheet are subject to change without notice
Version number: NEO108TOP-M-435.2.1